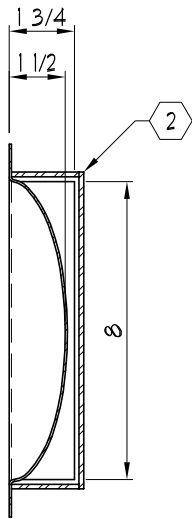
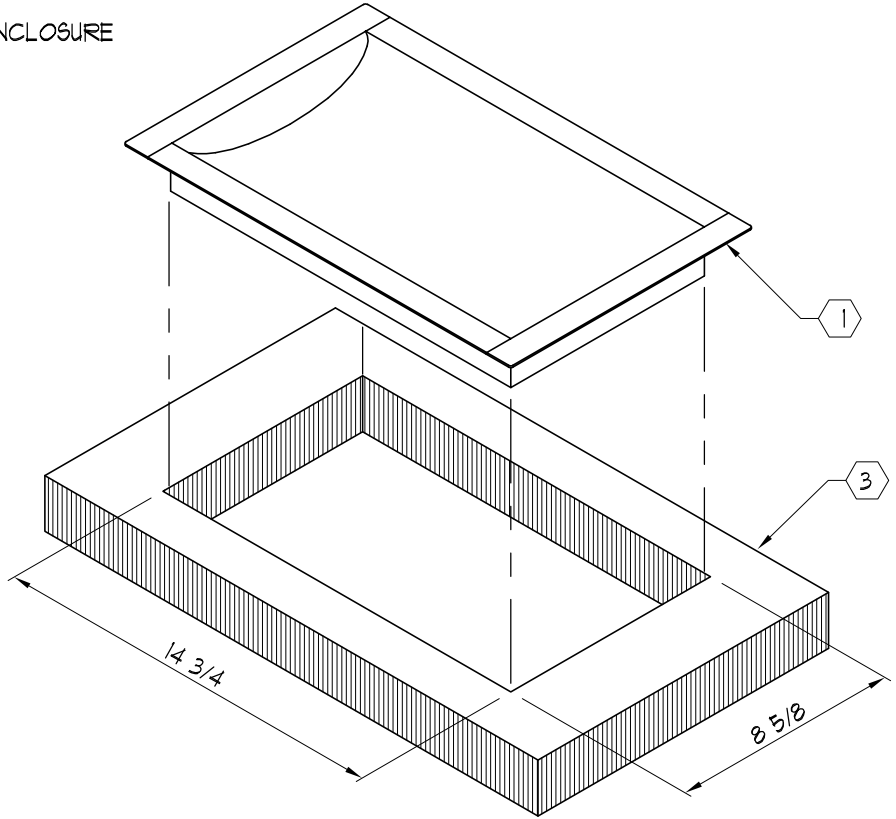
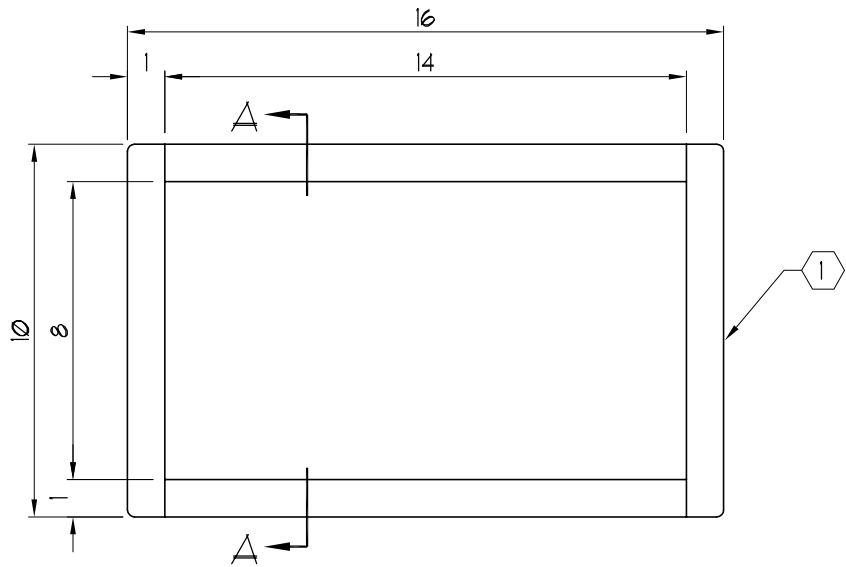


NOTES:

- ① 16 GA. STAINLESS STEEL DIP TRAY WITH # 3 SATIN BRUSHED FINISH
- ② PRIME PAINTED BALLISTIC STEEL ENCLOSURE
- ③ COUNTER TOP (AS REQUIRED)



SECTION A-A



TOP VIEW

(- REQUIRED)

C:\ARMORTEX MASTERS - 2007\DIPTRAY NO COUNTER\T1015002.DWG.DWG 02/19/07 @ 11:15 User: aperez

REVISIONS			ARMORTEX ® BULLET / BLAST RESISTANT PRODUCTS 5926 CORRIDOR PKWY SCHERTZ, TX 78154 TEL: 210-661-8306 800-880-8306 FAX: 210-661-8308		BALLISTIC LEVEL 3	
No.	DESCRIPTION	DATE			DRN.BY:	DATE:
			A. Perez	02-16-07		
			CHKD.BY:	DATE:		
			DRAWING No.	SHEET		
			T1015002	1 OF 1		
TITLE: ARMORTEX® BULLET RESISTANT DIP TRAY MODEL RMDT-1016			PROJECT NAME:	SCALE: NONE	PROJECT No.:	
UNLESS OTHERWISE SPECIFIED ALL DIMENSIONS ARE IN INCHES						