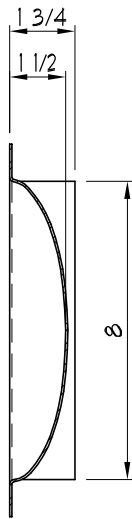
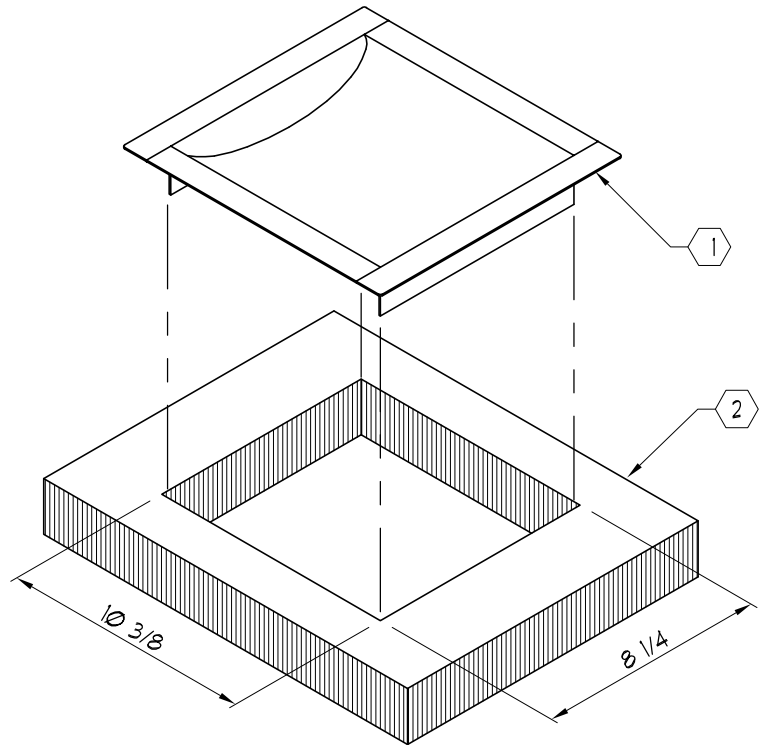
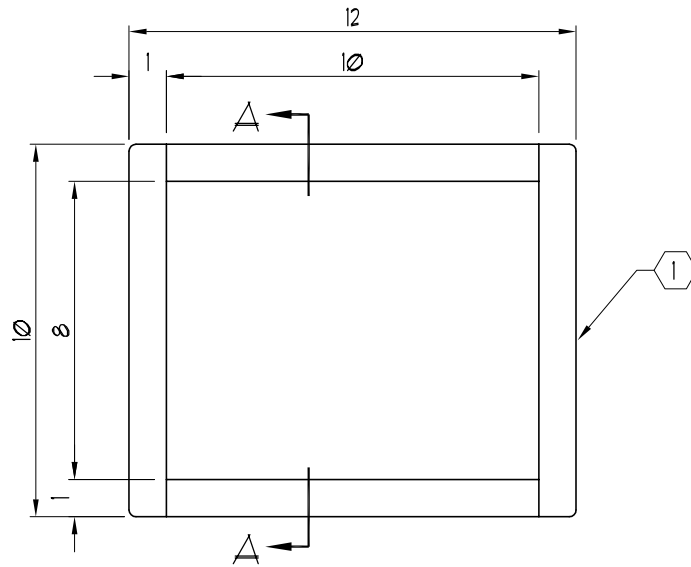


NOTES:

- ① 16 GA. STAINLESS STEEL DIP TRAY WITH # 3 SATIN BRUSHED FINISH
- ② COUNTER TOP (AS REQUIRED)



SECTION A-A



TOP VIEW
(- REQUIRED)

C:\ARMORTEX MASTERS - 2007\DIPTRAY NO COUNTER\T1015001.DWG.DWG 02/19/07 @ 11:06 User: aperez

REVISIONS			ARMORTEX ® BULLET / BLAST RESISTANT PRODUCTS 5926 CORRIDOR PKWY SCHERTZ, TX 78154 TEL: 210-661-8306 800-880-8306 FAX: 210-661-8308		DRN.BY:	DATE:
No.	DESCRIPTION	DATE			A. Perez	02-16-07
			TITLE:	PROJECT NAME:	CHKD.BY:	DATE:
			ARMORTEX® DIP TRAY MODEL RMDT-1012			
			UNLESS OTHERWISE SPECIFIED ALL DIMENSIONS ARE IN INCHES	SCALE NONE	PROJECT No.	DRAWING No. T1015001
						SHEET 1 OF 1