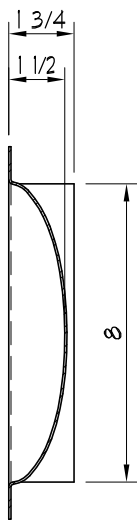
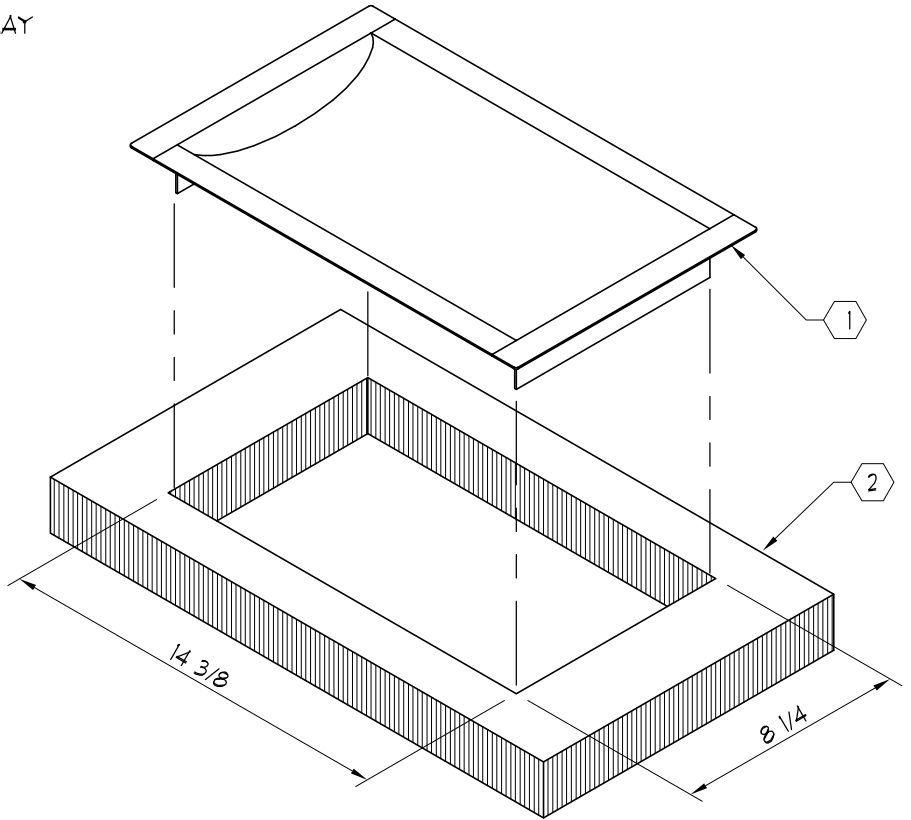
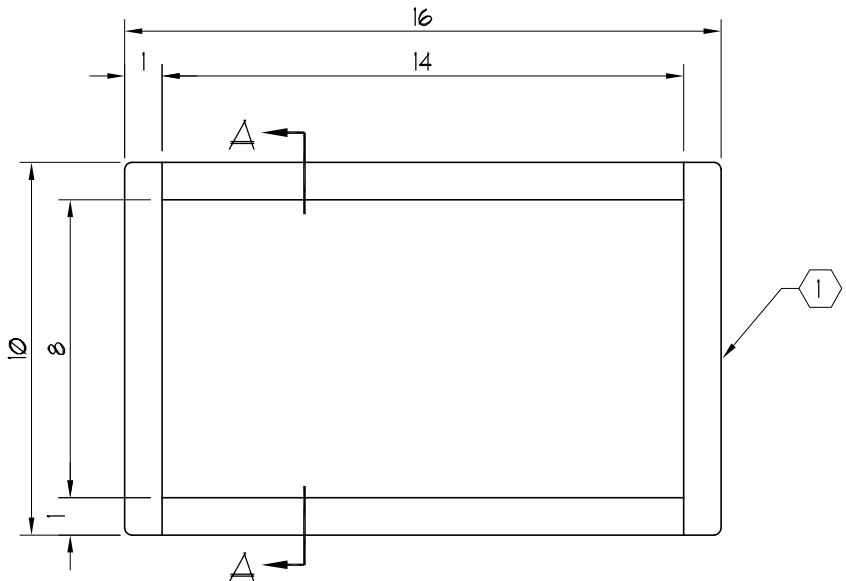


NOTES:

- ① 16 GA. STAINLESS STEEL DIP TRAY WITH # 3 SATIN BRUSHED FINISH
- ② COUNTER TOP (AS REQUIRED)



SECTION A-A



TOP VIEW
(- REQUIRED)

C:\ARMORTEX MASTERS - 2007\DIPTRAY NO COUNTER\T1015000.DWG.DWG 02/19/07 @ 11:04 User: aperez

REVISIONS			ARMORTEX ® BULLET / BLAST RESISTANT PRODUCTS 5926 CORRIDOR PKWY SCHERTZ, TX 78154 TEL: 210-661-8306 800-880-8306 FAX: 210-661-8308		DRN.BY:		DATE:	
No.	DESCRIPTION	DATE			A. Perez		02-16-07	
TITLE:			PROJECT NAME:		CHKD.BY:		DATE:	
ARMORTEX® DIP TRAY MODEL RMDT-1016					DRAWING No.		SHEET	
UNLESS OTHERWISE SPECIFIED ALL DIMENSIONS ARE IN INCHES			SCALE NONE		PROJECT No.		T1015000 1 OF 1	