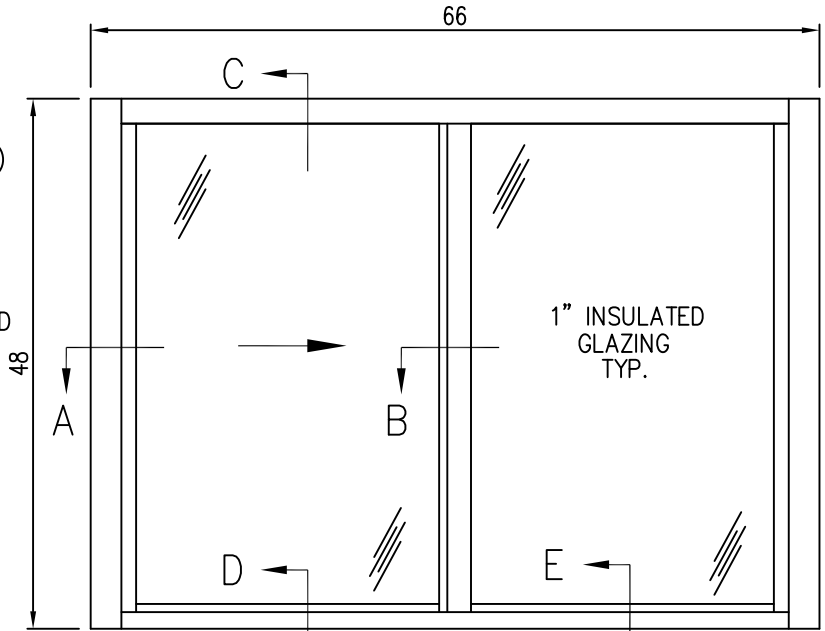
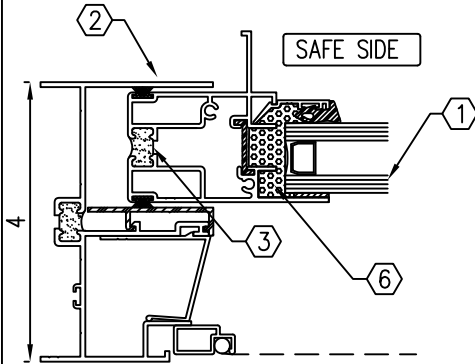


NOTES:

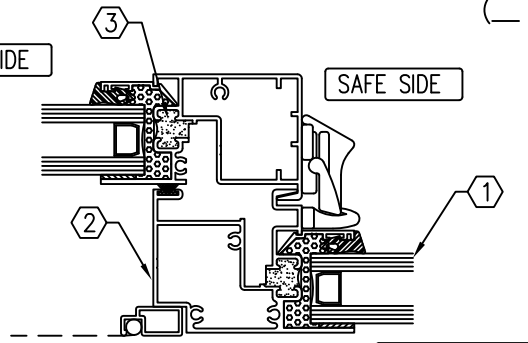
- ① ARMORTEX® GLAZING AS REQUIRED
- ② EXTRUDED ALUMINUM FRAME (CLEAR OR BRONZE ANODIZED, FLUOROPOLYMER OR POWDER COATED)
- ③ THERMAL BREAK
- ④ ANCHORS AS REQUIRED BY INSTALLING CONTRACTOR
- ⑤ CAULK AS REQUIRED
- ⑥ STRUCTURAL SILICON FACTORY GLAZED



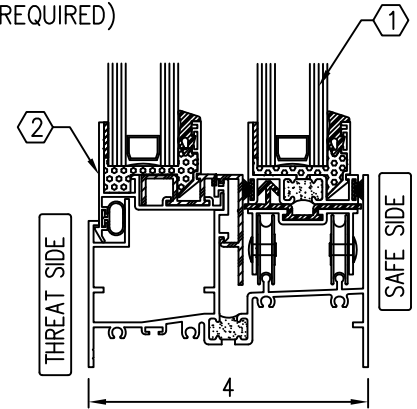
ELEVATION
(— — REQUIRED)



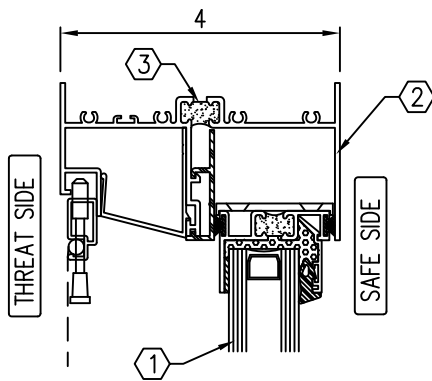
SECTION A



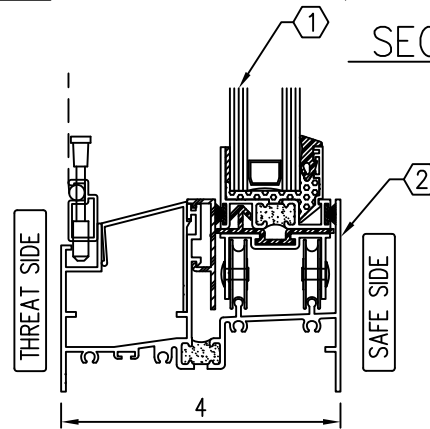
SECTION B



SECTION E



SECTION C



SECTION D

C:\ARMORTEX MASTERS - 2007\WINDOWS\COLUMBIA\W1011880.DWG 01/19/09 @ 08:55 User: blewis

REVISIONS			ARMORTEX® BULLET / BLAST RESISTANT PRODUCTS 5926 CORRIDOR PKWY SCHERTZ, TX 78154 TEL: 210-661-8306 800-880-8306 FAX: 210-661-8308		5.8 psi 40 psi-ms	
No.	DESCRIPTION	DATE			DRN.BY:	DATE:
			T. KUTZ	02-10-10		
			CHKD.BY:	DATE:		
			DRAWING No.	SHEET		
			W1011880	1 OF 1		
TITLE: ARMORTEX® BLAST ALUMINUM LP 400 HORIZONTAL SLIDING WINDOWS UNLESS OTHERWISE SPECIFIED ALL DIMENSIONS ARE IN INCHES			PROJECT NAME:	SCALE: NONE	PROJECT No.:	