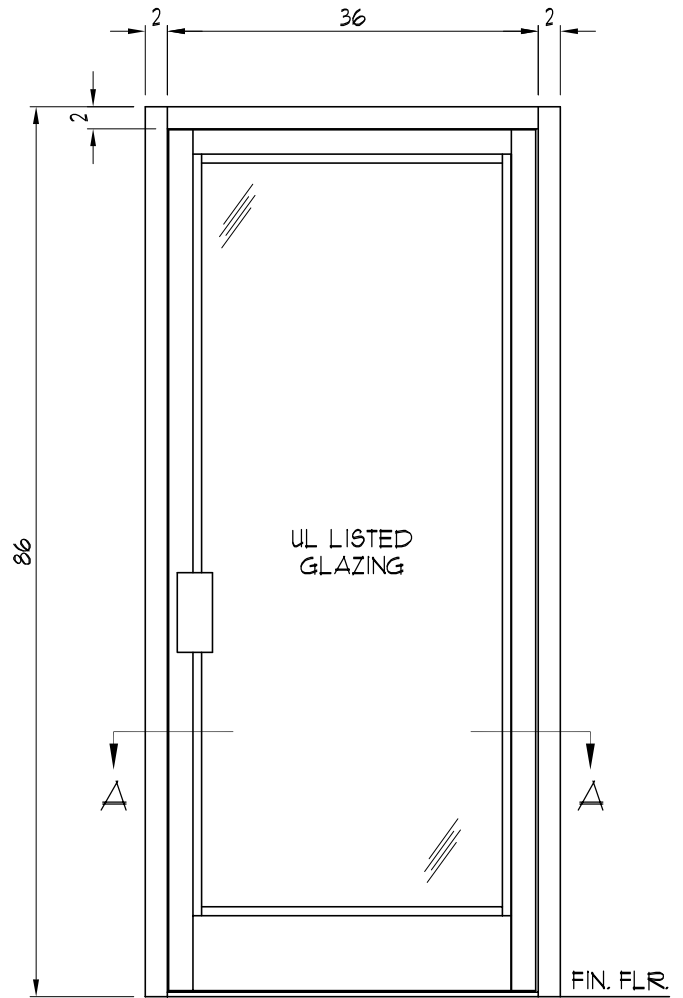
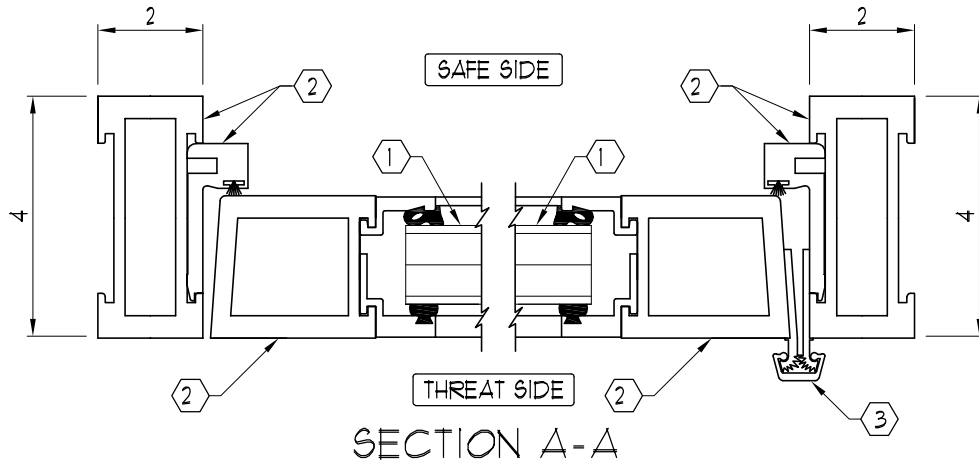


NOTES:

- ① UL LISTED BULLET RESISTANT GLAZING
- ② EXTRUDED ALUMINUM FRAME (6061-T6 ALLOY)
- ③ CONTINUOUS GEAR HINGE
- ④ NEOPRENE SETTING BLOCKS
- ⑤ HARDWARE AS SPECIFIED (BY OTHERS) (UNLESS NOTED)



ELEVATION



SECTION A-A

C:\ARMORTEX MASTERS\2007\DOORS\STOREFRONT\44350-SINGLE.DWG.DWG 02/14/07 @ 13:15 User: aperez

REVISIONS			ARMORTEX ® BULLET / BLAST RESISTANT PRODUCTS 5926 CORRIDOR PKWY SCHERTZ, TX 78154 TEL: 210-661-8306 800-880-8306 FAX: 210-661-8308		BALLISTIC LEVEL	
No.	DESCRIPTION	DATE			DRN.BY:	DATE:
			A. Perez	02-16-07		
TITLE: ARMORTEX® BULLET RESISTANT ALUMINUM STOREFRONT FRAME SYSTEM FL DOOR MODEL 44-350			PROJECT NAME:	CHKD.BY:	DATE:	
UNLESS OTHERWISE SPECIFIED ALL DIMENSIONS ARE IN INCHES			SCALE: NONE	PROJECT No.:	DRAWING No. 44-350	
					SHEET 1 OF 1	