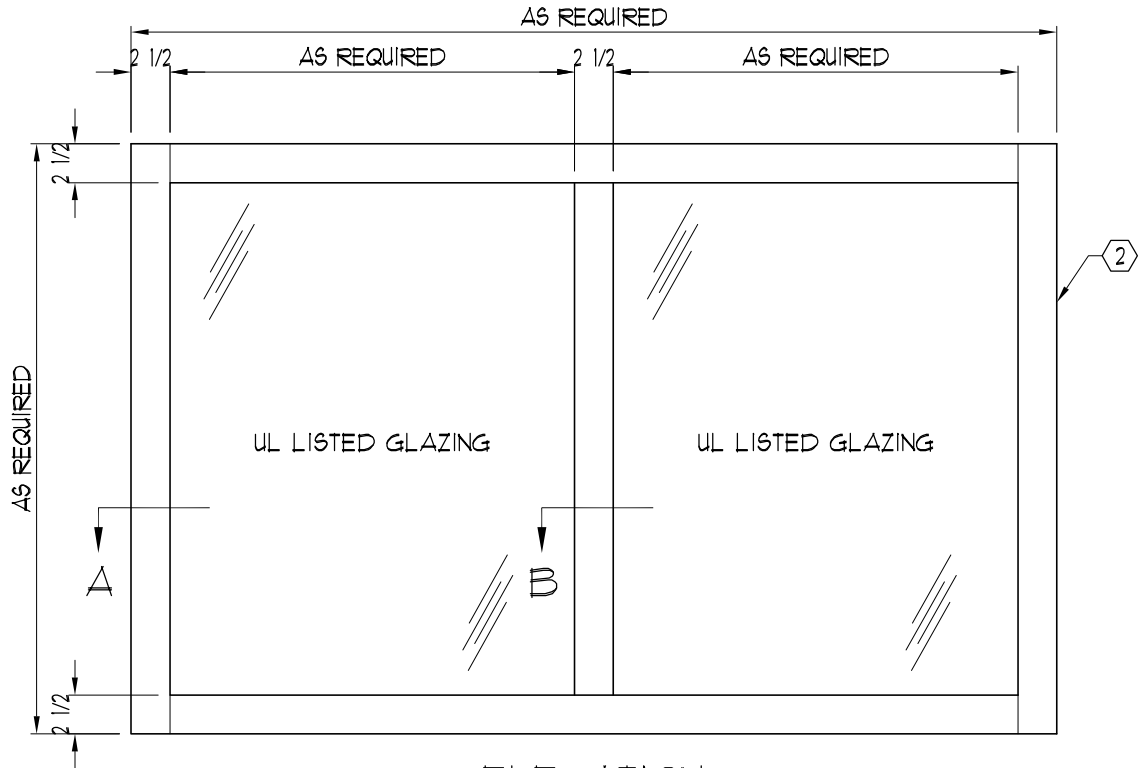
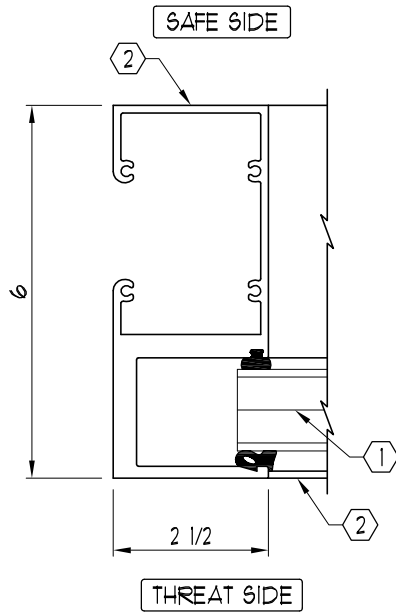


NOTES:

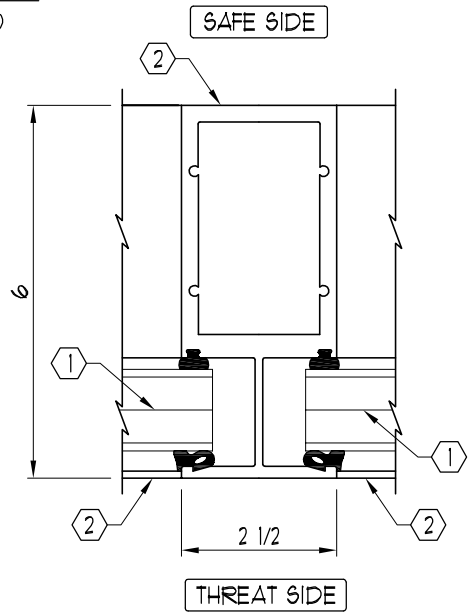
- ① UL LISTED BULLET RESISTANT GLAZING
- ② EXTRUDED ALUMINUM FRAME (6061-T6 ALLOY)
- ③ NEOPRENE SETTING BLOCKS
- ④ ANCHORS AS REQUIRED (BY OTHERS)



ELEVATION  
(\_\_ - REQUIRED)



SECTION A



SECTION B  
(OPTIONAL)

C:\ARMORTEX MASTERS - 2007\WINDOWS\STOREFRONT\44-600.DWG.DWG 02/14/07 @ 13:36 User: aperez

REVISIONS			<b>ARMORTEX</b> ® BULLET / BLAST RESISTANT PRODUCTS		BALLISTIC LEVEL	
No.	DESCRIPTION	DATE	5926 CORRIDOR PKWY SCHERTZ, TX 78154		DRN.BY:	DATE:
			TEL: 210-661-8306 800-880-8306 FAX: 210-661-8308		A. Perez	02-16-07
			TITLE: ARMORTEX® BULLET RESISTANT ALUMINUM STOREFRONT FRAME SYSTEM FIXED WINDOW MODEL 44-600		CHKD.BY:	DATE:
			UNLESS OTHERWISE SPECIFIED ALL DIMENSIONS ARE IN INCHES		DRAWING No.	SHEET
			SCALE NONE	PROJECT No.	44-600	1 OF 1