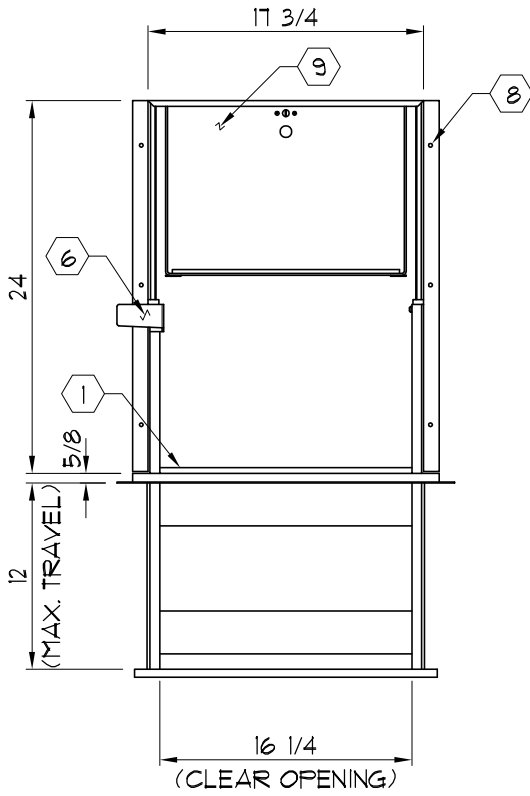


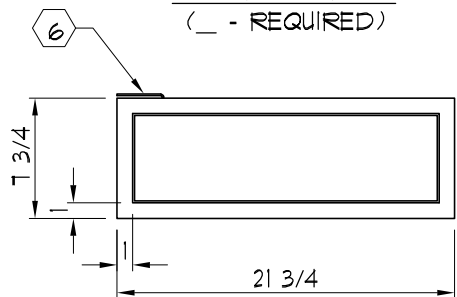
NOTES:

- ① UL LISTED ARMORTEX® BULLET RESISTANT COMPOSITES - 0F.200 (INTERNAL)
- ② 16 GA. FINISH PAINTED STEEL CASE
- ③ 20 GA. STAINLESS STEEL DRAWER FRONT
- ④ STAINLESS STEEL DRAWER
- ⑤ 16 GA. STAINLESS STEEL FLANGE FRAME
- ⑥ STAINLESS STEEL RELEASE HANDLE

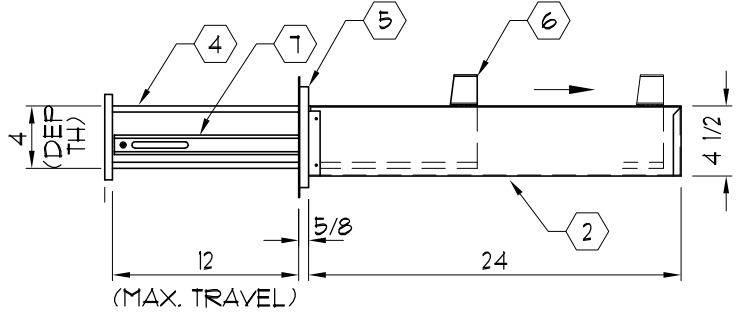
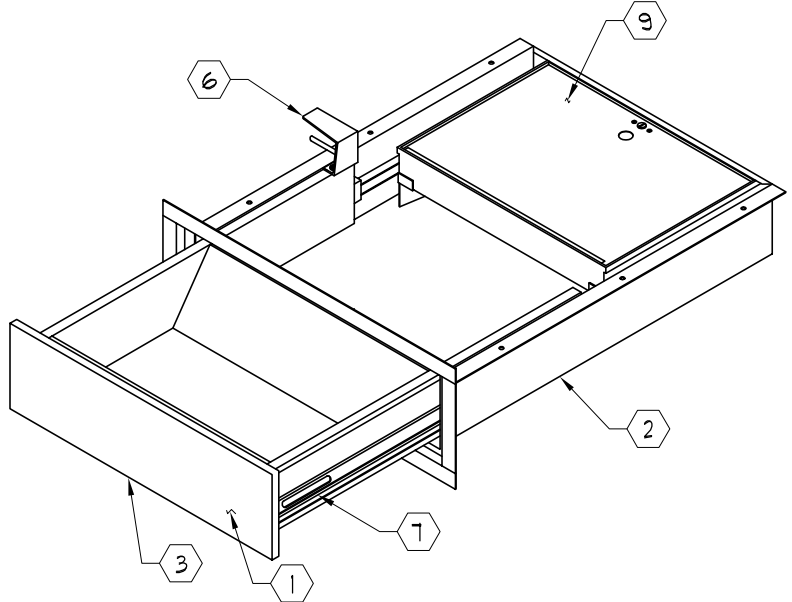
- ⑦ SLIDING DRAWER TRACKS
- ⑧ 1/4" DIA. MOUNTING HOLES (SCREWS BY OTHERS)
- ⑨ KEY LOCKING CASH TRAY



TOP VIEW
(_ - REQUIRED)



FRONT VIEW



SIDE VIEW

C:\ARMORTEX MASTERS - 2007\TRANSACTION DRAWERS\T1016000.DWG 02/19/07 @ 10:12 User: operez

REVISIONS		
No.	DESCRIPTION	DATE

ARMORTEX® BULLET / BLAST RESISTANT PRODUCTS
 5926 CORRIDOR PKWY SCHERTZ, TX 78154
 TEL: 210-661-8306 800-880-8306 FAX: 210-661-8308

TITLE: ARMORTEX® BULLET RESISTANT TRANSACTION DRAWER MODEL SS4D
 UNLESS OTHERWISE SPECIFIED ALL DIMENSIONS ARE IN INCHES

PROJECT NAME: _____
 SCALE: NONE PROJECT No. _____

BALLISTIC LEVEL 2	
DRN.BY: A. Perez	DATE: 02-16-07
CHKD.BY:	DATE:
DRAWING No. T1016000	SHEET 1 OF 1