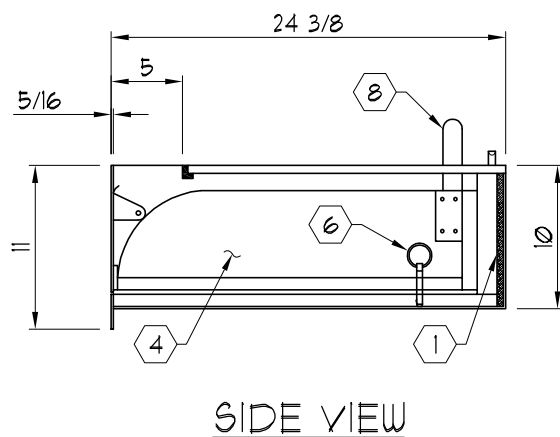
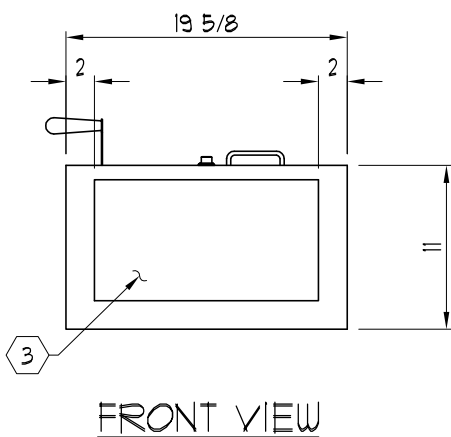
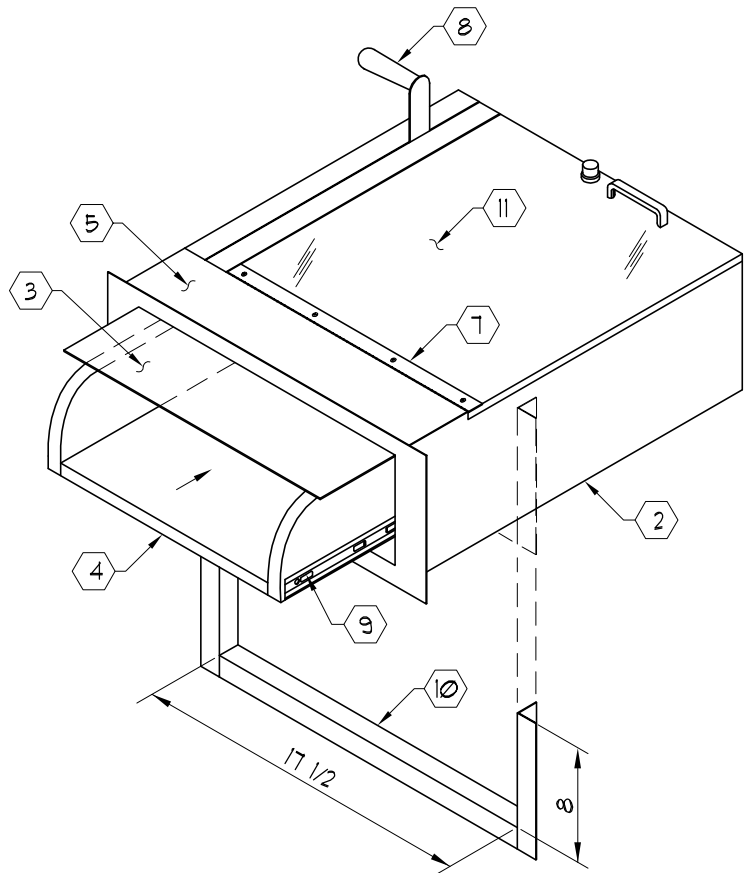
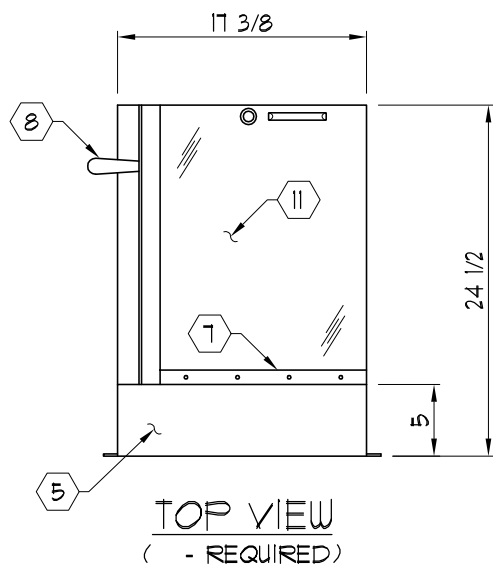


NOTES:

- ① UL LISTED ARMORTEX® BULLET RESISTANT COMPOSITES
- ② STAINLESS STEEL CASE
- ③ 12 GA. STAINLESS STEEL DRAWER FRONT
- ④ PLASTIC DRAWER
- ⑤ STAINLESS STEEL HOOD
- ⑥ DROP BOLT LOCK
- ⑦ STAINLESS STEEL HINGE
- ⑧ DRAWER PUSH / PULL
- ⑨ SLIDING DRAWER TRACKS

- ⑩ THREE SIDED ADJUSTABLE MOUNTING FLANGE
- ⑪ TRANSPARENT LID WITH LOCKING LATCH / PULL



C:\ARMORTEX MASTERS - 2007\TRANSACTION DRAWERS\T1016008.DWG.DWG 02/19/07 @ 10:10 User: operez

REVISIONS			ARMORTEX® BULLET / BLAST RESISTANT PRODUCTS		BALLISTIC LEVEL 3	
No.	DESCRIPTION	DATE	5926 CORRIDOR PKWY SCHERTZ, TX 78154		DRN.BY:	DATE:
			TEL: 210-661-8306 800-880-8306 FAX: 210-661-8308		A. Perez	02-16-07
			TITLE: ARMORTEX® BULLET RESISTANT TRANSACTION DRAWER MODEL SS-1724		PROJECT NAME:	
			UNLESS OTHERWISE SPECIFIED ALL DIMENSIONS ARE IN INCHES		SCALE: NONE	PROJECT No.:
					DRAWING No. T1016008	SHEET 1 OF 1